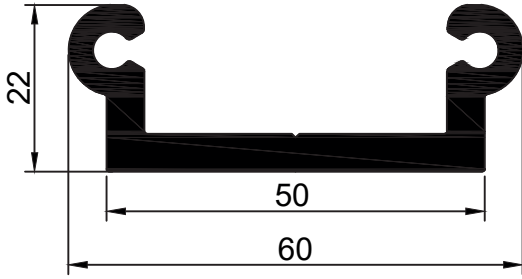


REVOLUTION IN ALUMINUM!

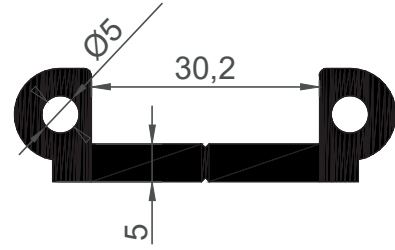


ELEVATOR PROFILES
ASANSÖR PROFİLLERİ

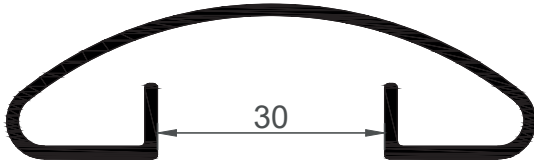




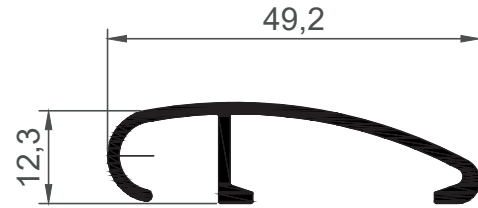
16290
1,230 Kg/Mt



16171
0,959 Kg/Mt



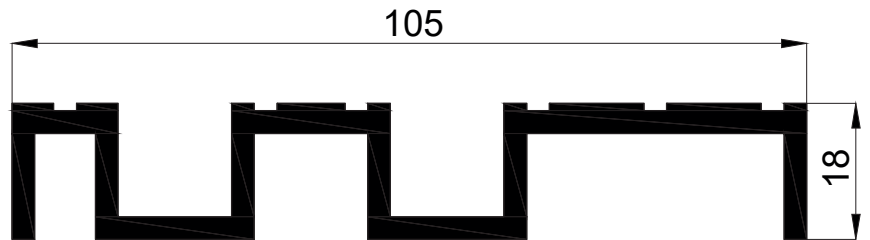
16164
0,585 Kg/Mt



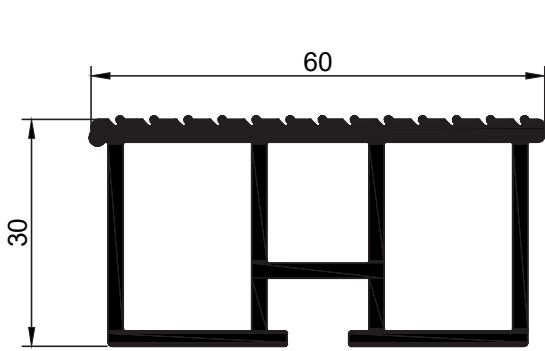
16150
0,350 Kg/Mt



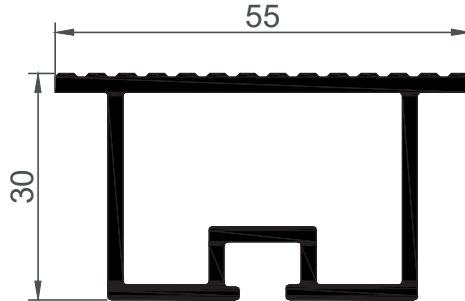
16223
0,304 Kg/Mt



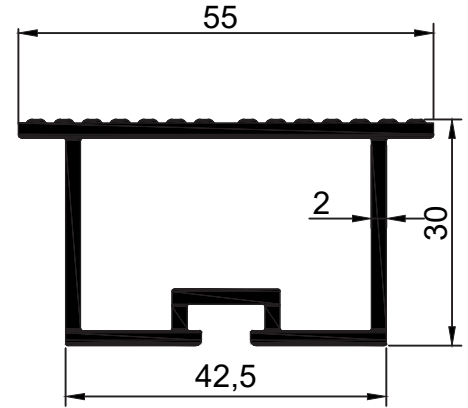
16307
1,685 Kg/Mt



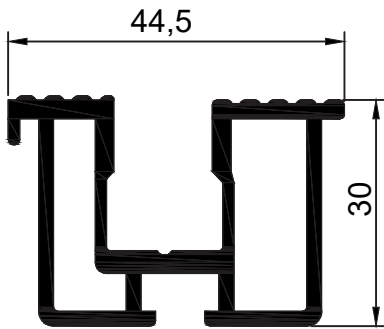
16450
1,342 Kg/Mt



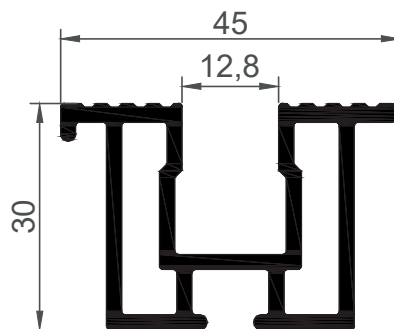
16174
0,944 Kg/Mt



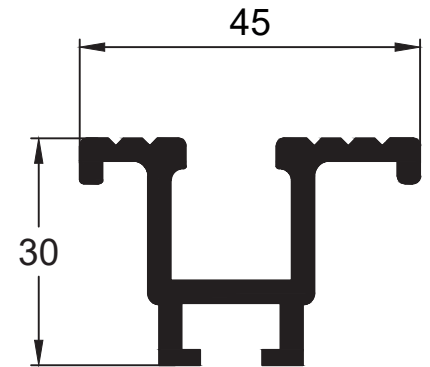
16291
0,945 Kg/Mt



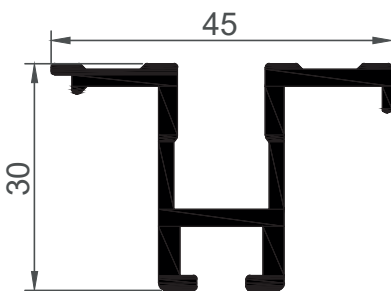
16289
1,031 Kg/Mt



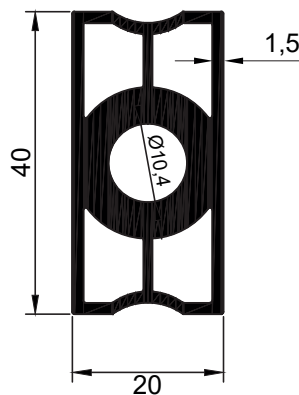
16173
0,989 Kg/Mt



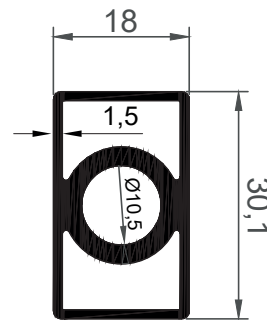
16416
0,920 Kg/Mt



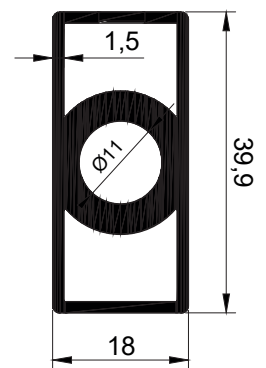
16222
0,688 Kg/Mt



16451
1,080 Kg/Mt



16172
0,580 Kg/Mt



16292
0,874 Kg/Mt

REVOLUTION IN ALUMINUM!



konmetsan[®]
aluminium extrusion profiles

ELEVATOR PROFILES ASANSÖR PROFİLLERİ

